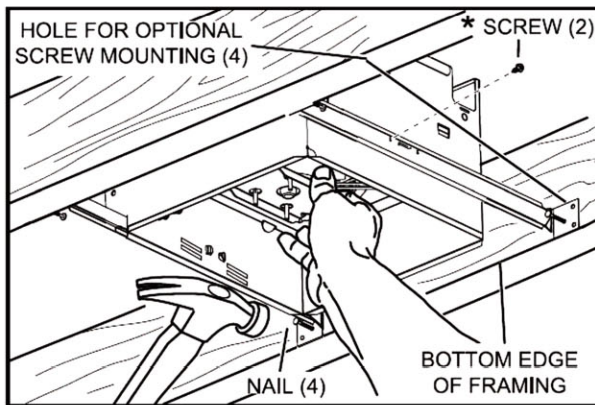




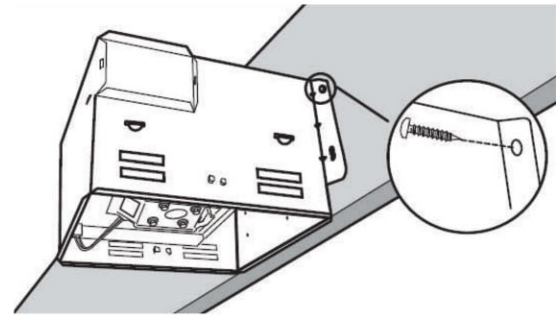
<b>CFM</b>	<b>110</b>
<b>SONES</b>	<b>0.6</b>
<b>HEIGHT</b>	<b>7-5/8"</b>
<b>DUCT</b>	<b>4" &amp; 6"</b>

### SE 110X

- Very Quiet: .6 sones
- 7-5/8" Height, ideal for 2x8 const.
- 120 volt / 60 Hz
- Galvanized Housing
- Adjustable bar hangers 14-24"
- 4" & 6" duct adapters included
- Integral direct mounting bracket
- High efficiency "no lube" motor
- ETL listed
- HVI 2100 certified
- Conforms to UL standard 507



**24" BAR HANGERS INCLUDED**



**HOUSING CAN BE INSTALLED USING THE UNIVERSAL MOUNTING BRACKET WITHOUT THE USE OF BAR HANGERS.**

### Description

Ultra quiet ventilation fan with integral, separately switched 1000 watt heater. High efficiency, capacitor start motor with Energy Star and HVI 2100 certifications. ETL listed, conforms to UL 507 safety standards. ETL listed for installation above bath or shower with GFCI protected circuit breaker. Suited for use in bathrooms, spa's, laundry rooms, and other damp locations.

### Housing

Made of rugged 26 GA galvanized steel for superior corrosion resistance. Detachable 4" and 6" polymer duct adapter with "noiseless" back draft damper. Twin bar-hanger mounting brackets adjust from 13-3/4 to 25" inches for ideal positioning between ceiling members. Housing Dimensions: Width 10-1/2", Length 11-3/8", Height 7-5/8" and fits level with 2 x 8 joist construction. Integral four (4) point mounting bracket allows housing to be attached directly to ceiling joist without the use of bar-hangers. Can be mounted in sloped ceilings up to 12-12 pitch (45 degrees).

### Blower Motor

High efficiency, split capacitor, permanently lubricated motor with quick disconnect plug. Energy Star certified and engineered for continuous operation with built in overload protection to insure longer motor life: 120 Volts / 60 Hz. One-piece blower and motor assembly can be easily removed and replaced from below the ceiling. Four (4) isolation dampeners provide ultra quiet operation with minimal vibration transfer.

### Grille

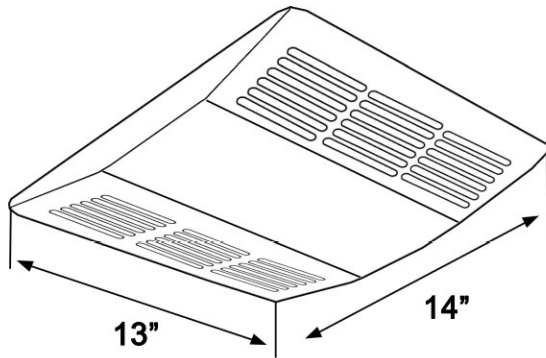
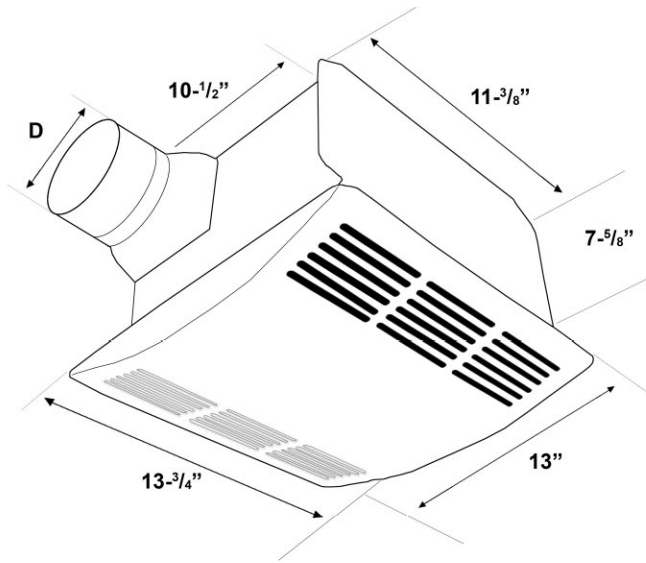
Attractive, low profile, high impact grille made from 22 gauge sheet metal finished with high temperature thermal paint. Powerful torsion springs seat the grille tightly and evenly to the ceiling surface. Grille can be attached or removed without the use of tools. Grille dimensions: 13-3/4 X 13".

CERTIFICATIONS

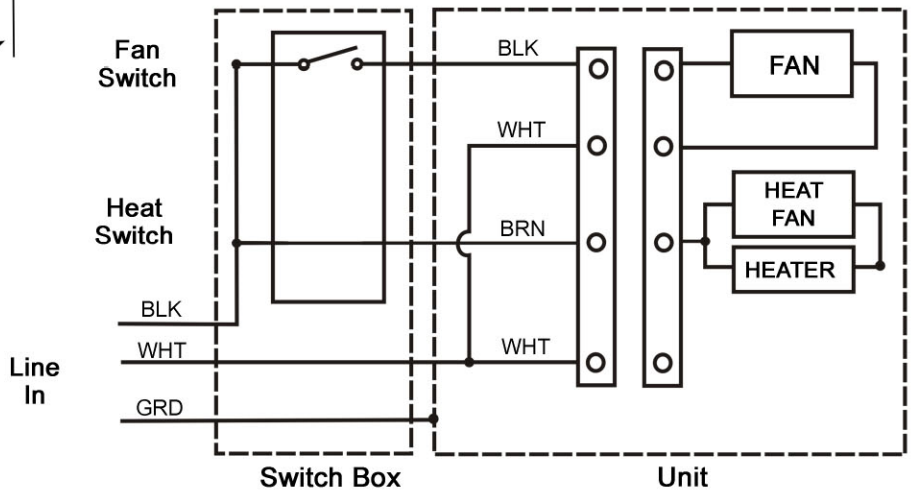
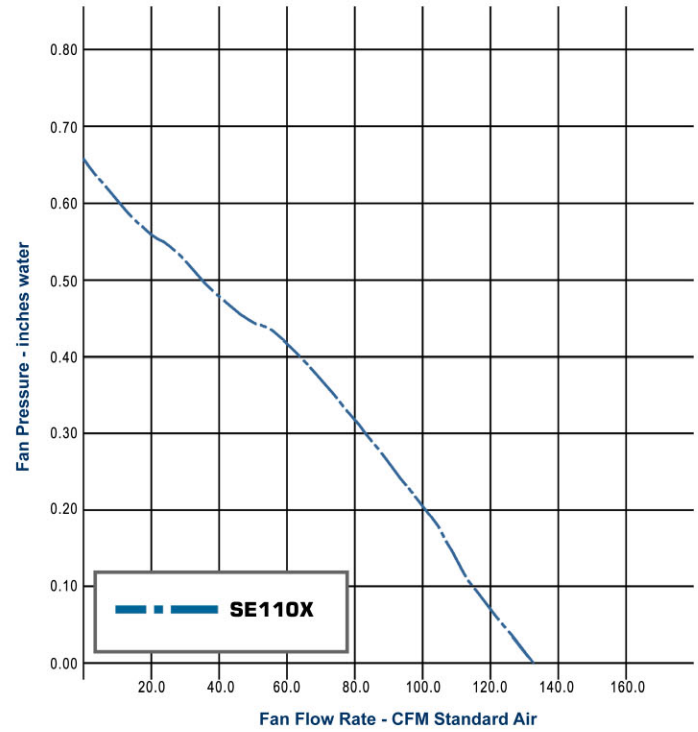


# SE 110X

Ultra Quiet Fan with Heater



**STANDARD METAL GRILLE**



Model Number	SE 110X	
Static Pressure in inches w.g.	0.1	0.25
Air Volume (CFM)	110	87
Noise (Sones) 6" Duct	0.6	n/a
Noise (Sones) 4" Duct	1.2	n/a
Fan Watts	35W	35W
Power (Volts / Hertz)	120V/60Hz	



CERTIFICATIONS

