

VK Series



CFM	150/ 750
SONES	N/A
HEIGHT	9" to 16"
DUCT	4" to 12"

- 5 year warranty
- Wide CFM range (150 to 750)
- Corrosion free ABS construction
120 volt / 60 Hz
- Galvanized mounting bracket
- 4" to 12" duct size capacity
- Includes pre-wired cord & plug
- German manufactured motor
- ETL listed
- Energy Star approved*
- HVI 2100 certified
- Title 24 Ready
- Conforms to UL standard 507
- IC Rated up to R40 insulation

Description

Duct mounted centrifugal in-line fan suited for long duct runs and high static pressure applications for both commercial and residential projects. Operates on 4" through 12" round duct systems. Air flow capacity of 150 to 750 CFM, based on model size. Energy Star and HVI 2100 certified. ETL listed and conforms to UL 507 safety standards. IP4X rated for damp environments and AMCA certified. External junction box for easy access with pre-wired cord and plug included.

Housing

Made of rugged UV resistant ABS resin for superior corrosion resistance with a 5VA flame rating. Integral duct adaptor built into the housing makes installation easy. Simply attached duct at each end of the fan and seal with tape and secure with a duct clamp, and the fan is ready to energize. Fan can be mounted to wall or ceiling members and operated in any position. Galvanized steel mounting bracket can be mounted to any flat surface and fastened with four (4) mounting screws. Housings are available in six different duct sizes ranging from 4", 5", 6", 8", 10", 12" round duct.

Blower Motor

Featuring external rotor, split capacitor, permanently lubricated motor with quick disconnect plug for easy change out. Dynamically balanced impeller ensures vibration free operation. Sealed rotor bearings reduces noise and ensures long life. Factory sealed ABS housing for minimal vibration transfer and low maintenance, carries a 5VA flame rating.

Options

Optional Radon Eliminator model, consult factory for details.

Applications

Bathrooms, locker rooms, kitchens, laundry rooms, spas, green houses, workshops, smoking areas, attics, indoor pools, auto shops.



EXTERNAL ROTOR MOTOR



STEEL MOUNTING BRACKETS



BALANCED ROTOR



DUAL SEALED BEARINGS



OPTIONAL ACCESSORIES INCLUDE BACK DRAFT DAMPERS, WALL AND CEILING CAPS, AND DUCT CLAMPS

CERTIFICATIONS



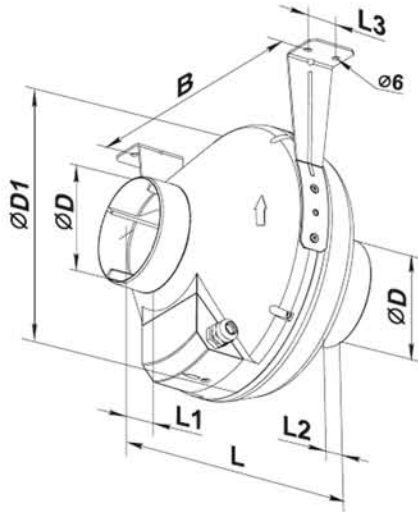
VK100 -315

In-Line Centrifugal Fan



DIMENSIONS

Model Number	Measurements (in.)						Lbs
	ØD	ØD1	L	L1	L2	L3	
VK100	3- ¹⁵ / ₁₆ "	9- ¹³ / ₁₆ "	10- ⁵ / ₈ "	9- ¹ / ₁₆ "	1- ¹ / ₁₆ "	1- ³ / ₁₆ "	4.7
VK125	4- ¹⁵ / ₁₆ "	9- ¹³ / ₁₆ "	10- ⁵ / ₈ "	8- ¹¹ / ₁₆ "	1- ¹ / ₁₆ "	1- ³ / ₁₆ "	4.9
VK150	5- ¹⁵ / ₁₆ "	11- ¹³ / ₁₆ "	12- ¹³ / ₁₆ "	11- ¹ / ₄ "	1- ³ / ₁₆ "	1- ³ / ₁₆ "	5.7
VK200	7- ¹⁵ / ₁₆ "	13- ³ / ₈ "	13- ¹⁵ / ₁₆ "	10- ⁷ / ₈ "	1- ³ / ₁₆ "	1- ⁹ / ₁₆ "	8.8
VK250	9- ¹⁵ / ₁₆ "	13- ³ / ₈ "	13- ¹⁵ / ₁₆ "	10- ⁷ / ₁₆ "	1- ³ / ₁₆ "	1- ⁹ / ₁₆ "	9.9
VK315	12- ¹⁵ / ₁₆ "	13- ³ / ₄ "	16- ⁵ / ₁₆ "	16- ⁵ / ₁₆ "	2- ³ / ₁₆ "	2- ⁹ / ₁₆ "	11.2



PERFORMANCE

Model	Energy Star certified	Duct dia	Sones	RPM*	Watts*	CFM vs. Static Pressure (Ps) in WG										Volt / Hz
						0"	0.125"	0.2"	0.25"	0.375"	0.5"	0.75"	1.0"	1.25"	1.5"	
VK 100		4"	8.5	3088	106	162	155	150	147	141	134	120	104	87	67	120 / 60
VK 125		5"	7.1	2960	114	235	222	214	207	193	178	151	123	99	72	120 / 60
VK 150		6"	7.2	2907	113	317	300	289	282	265	247	212	178	132	68	120 / 60
VK 200	✓	8"	8.1	2650	142	583	560	544	532	497	462	390	320	255	196	120 / 60
VK 250		10"	10.2	2604	293	735	699	675	658	625	558	507	432	369	307	120 / 60
VK 315	✓	12 ³ / ₈ "	11.5	2741	271	837	800	772	755	707	659	564	474	387	307	120 / 60

CERTIFICATIONS

