

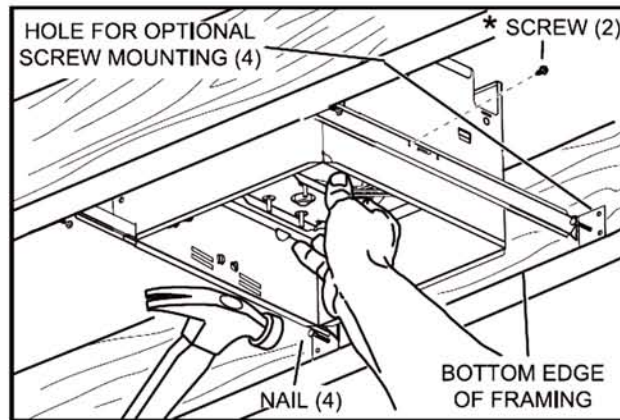


CFM	80
SONES	1.1
HEIGHT	5-5/8"
DUCT	4"

SND 80 Fan

- Very Quiet: 1.1 sones
- 5-5/8" Height, ideal for 2x6 const.
- 120 volt / 60 Hz
- Galvanized Housing
- Adjustable bar hangers 14-24"
- 4" duct adapters included
- Integral direct mounting bracket
- High efficiency direct current fan
- ETL listed
- Energy Star approved
- HVI 2100 certified
- Title 24 Ready
- Conforms to UL standard 507
- IC Rated up to R40 insulation

**HIGH EFFICIENCY
DC MOTOR ONLY
10 WATTS**



24" BAR HANGERS INCLUDED

Description

Low Profile quiet ventilation fan with high efficiency, DC motor. Energy Star and HVI 2100 certified, ETL listed, conforms to UL 507 safety standards. ETL listed for installation above bath or shower with GFCI protected circuit breaker. Suited for use in bathrooms, spa's, laundry rooms, and other damp locations.

Housing

Made of rugged 26 GA galvanized steel for superior corrosion resistance. Detachable 4" polymer duct adapter with "noiseless" back draft damper. Twin bar-hanger mounting brackets adjust from 13-3/4 to 25" inches for ideal positioning between ceiling members. Housing Dimensions: Width 10-1/2", Length 11-3/8", Height 5-5/8" and fits between floors with 2 x 6 joist construction. IC Rated for direct contact with insulation up to R40. Integral four (4) point mounting bracket allows housing to be attached directly to ceiling joist without the use of bar-hangers. Can be mounted in sloped ceilings up to 12-12 pitch (45 degrees).

Blower Motor

Very efficient, 10 watt, permanently lubricated DC motor with quick disconnect plug. Energy Star certified and engineered for continuous operation with built in overload protection to insure longer motor life: 120 Volts / 60 Hz. One-piece blower and motor assembly can be easily removed and replaced from below the ceiling. Four (4) isolation dampeners provide ultra quiet operation with minimal vibration transfer.

Grille

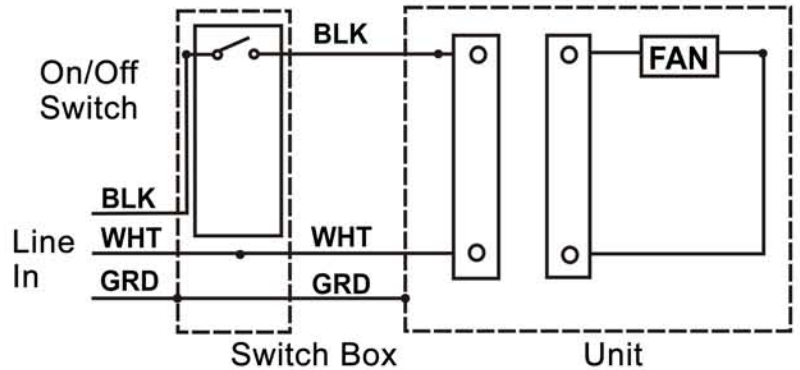
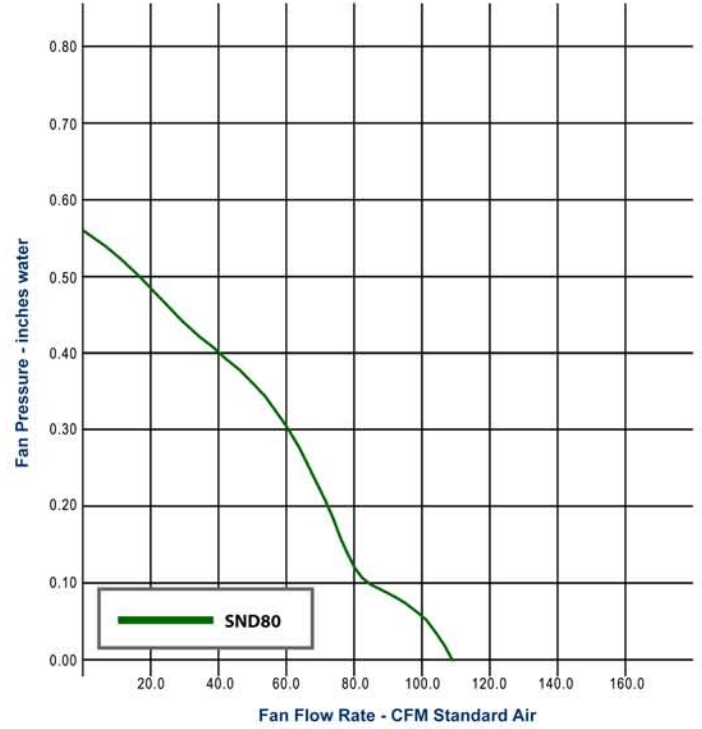
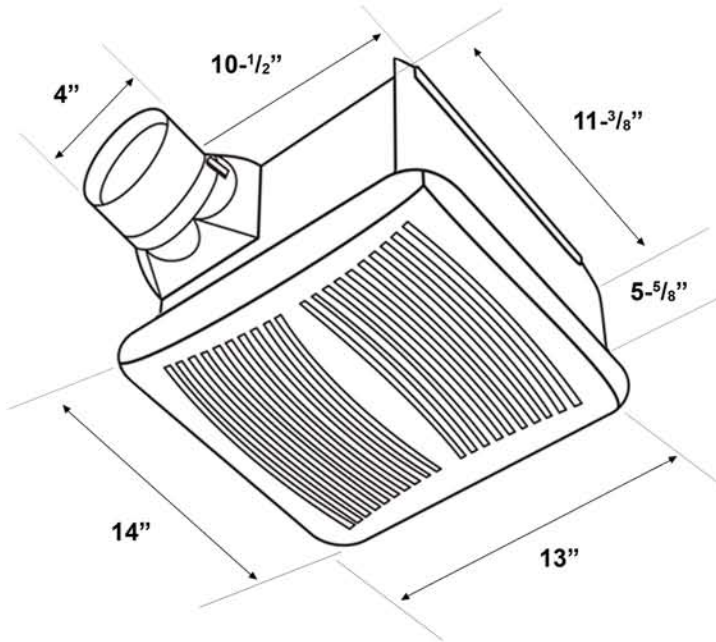
Attractive, low profile, high impact grille made with premium UV inhibited polymer resin. Powerful torsion springs seat the grille tightly and evenly to the ceiling surface. Grille can be attached or removed without the use of tools. Grille dimensions: 13-3/4 X 13".

CERTIFICATIONS

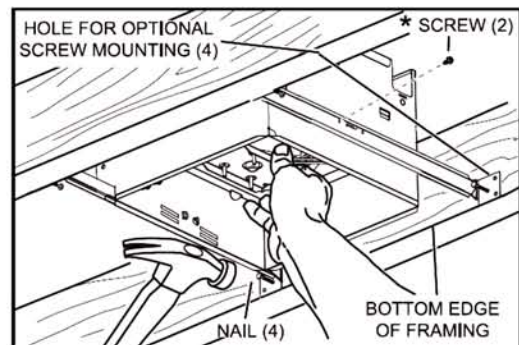


SND 80

Low Profile DC Fan



24" BAR HANGERS INCLUDED



Model Number	SND 80	
Static Pressure in inches w.g.	0.1	0.25
Air Volume (CFM)	80	63
Noise (Sones) 4" Duct	1.1	n/a
Fan Watts	10W	10W
Power (Volts / Hertz)	120V/60Hz	

CERTIFICATIONS

