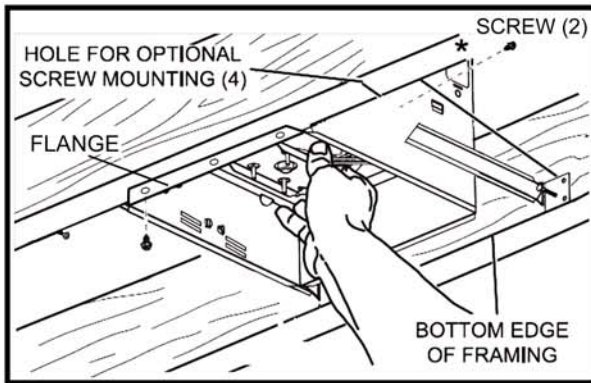




CFM	200 - 400
SONES	2.5 To 4.5
HEIGHT	9"
DUCT	6"

JB Series

- For high CFM applications
- 120 volt / 60 Hz
- Durable Powder coat painted housing
- Adjustable bar hangers 14-24"
- Integral 6" duct adapter included
- High efficiency "no lube" motor
- UL listed
- HVI 2100 certified (pending)
- Conforms to UL standard 507
- IC Rated up to R40 insulation



Install the JB series housing by attaching the housing flange to the joist while supporting the opposing side with the adjustable bar hanger.

24" BAR HANGER INCLUDED, MOUNT IN SLOPED CEILINGS UP TO 12/12 PITCH

Description

The JB series fan is designed for high CFM applications with a high efficiency, capacitor start motor. The JB series is UL listed and conforms fully to UL 507 safety standards. The JB series is UL listed for installation above bath or shower enclosures with GFCI protected circuit breaker. Suited for use in, spa's, laundry rooms, storage units, basements and other damp locations.

Housing

Made of rugged 26 GA post-painted steel for superior corrosion resistance. Integral 6" steel duct adapter with "noiseless" aluminum back draft damper. Bar-hanger mounting bracket adjust from 13-3/4 to 25" inches for ideal positioning to ceiling members. IC Rated for direct contact with insulation up to R40. Can be mounted in sloped ceilings up to 12-12 pitch (45 degrees). Externally mounted junction box for easy access with 1/2" knock-outs.

Blower Motor

High efficiency, split capacitor, permanently lubricated motor with quick disconnect plug for easy change out. UL listed and Energy Star certified for continuous operation with built in overload protection to insure longer motor life: 120 Volts / 60 Hz. One-piece blower and motor assembly can be easily removed and replaced from below the ceiling. Four (4) isolation dampeners provide ultra quiet operation with minimal vibration transfer.

Grille

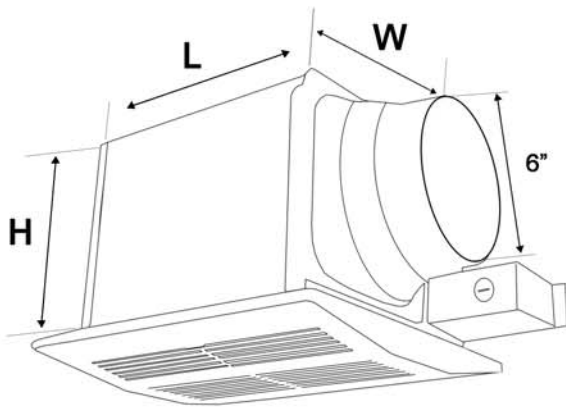
Attractive, low profile, high impact grille made with premium UV inhibited polymer resin. Powerful torsion springs seat the grille tightly and evenly to the ceiling surface. Grille can be attached or removed without the use of tools.

CERTIFICATIONS

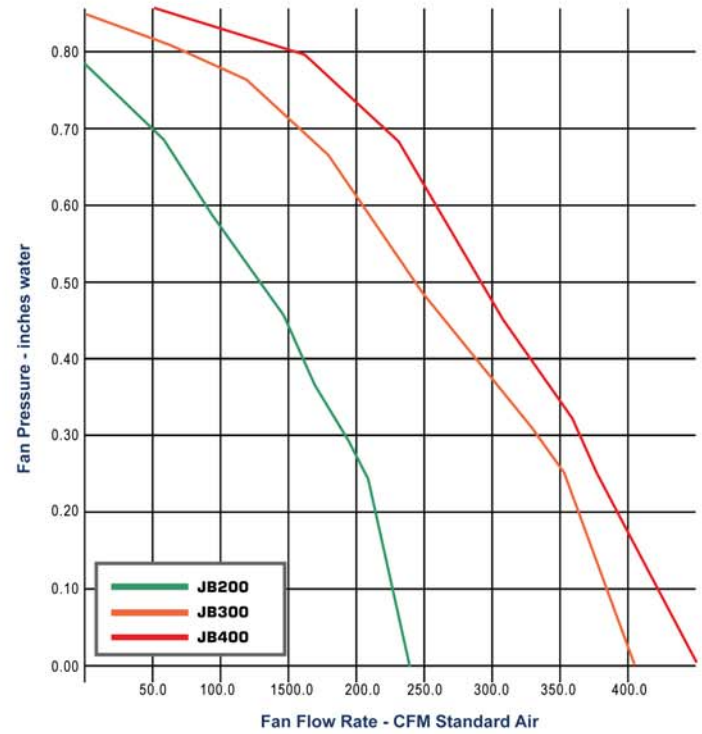


JB 200 - 400V

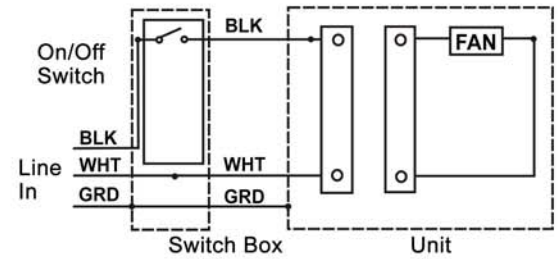
High CFM Ventilation Fan



Model Number	L - Length	W - Weight	H - Height
JB200	10-1/4"	10-1/4"	7-7/8"
JB300	12"	12"	9"
JB400	14-1/2"	14-1/2"	9"



Model Number	JB200		JB300		JB400	
Static Pressure in inches w.g.	0.1	0.25	0.1	0.25	0.1	0.25
Air Volume (CFM)	234	209	372	316	410	366
Noise (Sones) 4" Duct	2.5	n/a	3.5	n/a	4.5	n/a
Fan Watts	48W	52W	72W	75W	108W	112W
Power (Volts / Hertz)	120V/60Hz		120V/60Hz		120V/60Hz	



CERTIFICATIONS

