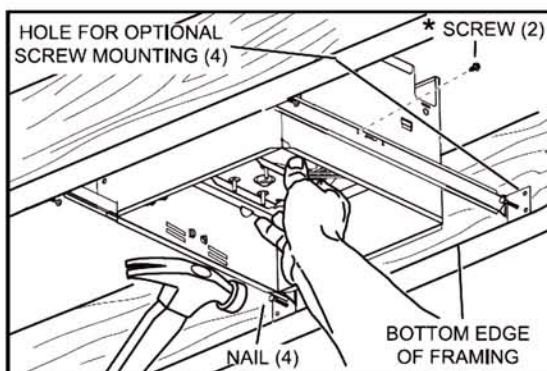




CFM	80 - 140
SONES	0.7 TO 1.2
HEIGHT	5-5/8
DUCT	4"

SE-S Series

- Very Quiet: as low as .7 sones
- 5-5/8" Height, ideal for 2x6 const.
- 120 volt / 60 Hz
- Galvanized Housing
- Adjustable bar hangers 14-24"
- 4" duct adapters included
- Integral direct mounting bracket
- High efficiency "no lube" motor
- ETL listed
- Energy Star approved
- HVI 2100 certified
- Title 24 Ready
- Conforms to UL standard 507
- IC Rated up to R40 insulation



**24" BAR HANGERS INCLUDED.
MOUNTS IN SLOPED CEILINGS UP TO 45 DEG.**

Description

Low Profile ultra quiet ventilation fan with high efficiency, capacitor start motor. Energy Star and HVI 2100 certified, ETL listed, conforms to UL 507 safety standards. ETL listed for installation above bath or shower with GFCI protected circuit breaker. Suited for use in bathrooms, spa's, laundry rooms, and other damp locations.

Housing

Made of rugged 26 GA galvanized steel for superior corrosion resistance. Detachable 4" polymer duct adapter with "noiseless" back draft damper. Twin bar-hanger mounting brackets adjust from 13-3/4 to 25" inches for ideal positioning between ceiling members. Housing Dimensions: Width 10-1/2", Length 11-3/8", Height 5-5/8" and fits between floors with 2 x 6 joist construction. IC Rated for direct contact with insulation up to R40. Integral four (4) point mounting bracket allows housing to be attached directly to ceiling joist without the use of bar-hangers. Can be mounted in sloped ceilings up to 12-12 pitch (45 degrees).

Blower Motor

High efficiency, split capacitor, permanently lubricated motor with quick disconnect plug for easy change out. Energy Star certified and engineered for continuous operation with built in overload protection to insure longer motor life: 120 Volts / 60 Hz. One-piece blower and motor assembly can be easily removed and replaced from below the ceiling. Four (4) isolation dampeners provide ultra quiet operation with minimal vibration transfer.

Grille

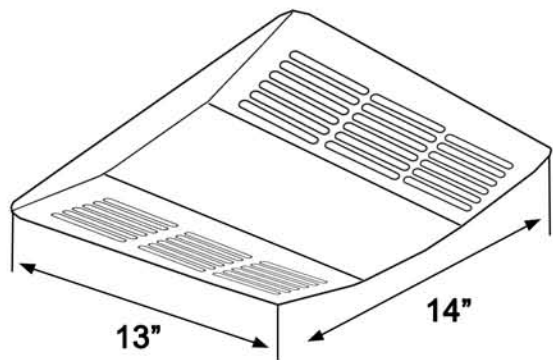
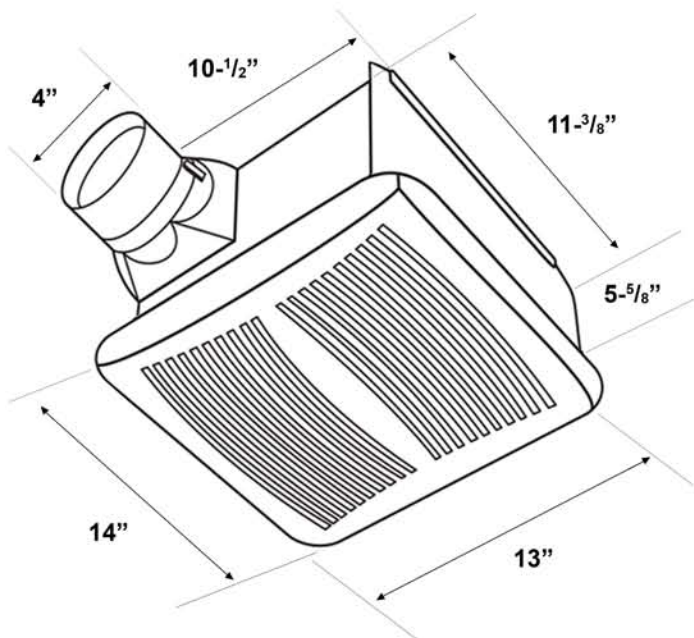
Attractive, low profile, high impact grille made with premium UV inhibited polymer resin. Powerful torsion springs seat the grille tightly and evenly to the ceiling surface. Grille can be attached or removed without the use of tools. Grille dimensions: 13-3/4 X 13".

CERTIFICATIONS

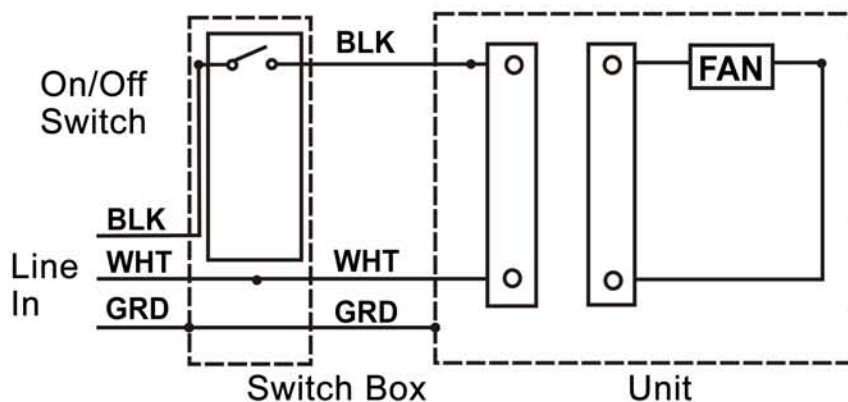
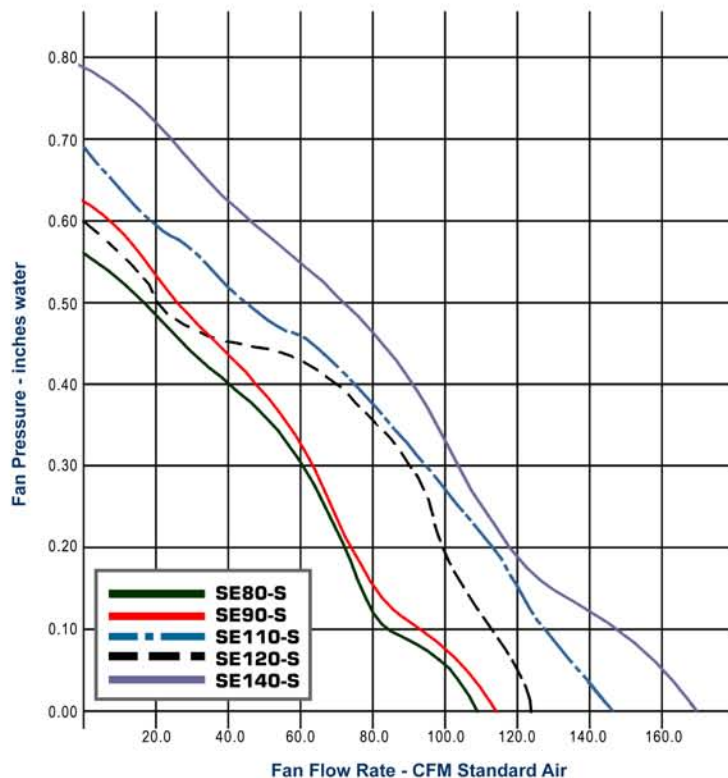


SE 80-140S

Ultra Quiet Profile Fan



OPTIONAL METAL GRILLE



Model Number	SE 80-S		SE 90-S		SE 110-S		SE 120-S		SE 140-S	
Static Pressure in inches w.g.	0.1	0.25	0.1	0.25	0.1	0.25	0.1	0.25	0.1	0.25
Air Volume (CFM)	80	63	90	70	110	87	120	105	140	122
Noise (Sones) 4" Duct	0.8	n/a	0.7	n/a	1.2	n/a	1.2	n/a	1.1	(6" DUCT)
Fan Watts	25W	25W	25W	28W	35W	35W	39W	39W	48W	48W
Power (Volts / Hertz)	120V/60Hz		120V/60Hz		120V/60Hz		120V/60Hz		120V/60Hz	

CERTIFICATIONS

