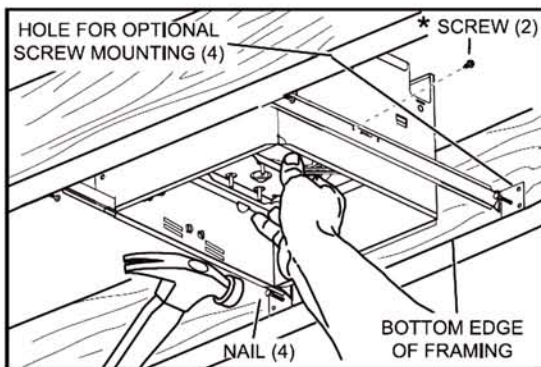




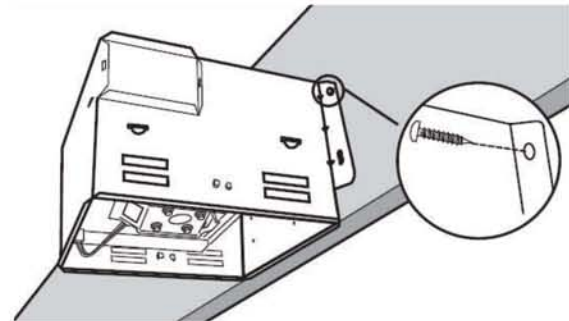
<b>CFM</b>	<b>80</b>
<b>SONES</b>	<b>0.3</b>
<b>HEIGHT</b>	<b>7-5/8</b>
<b>DUCT</b>	<b>4" &amp; 6"</b>

### SE 80M Series

- Very Quiet: as low as 0.3 sones
- 7-5/8" Height, ideal for 2x8 const.
- 120 volt / 60 Hz
- Galvanized housing
- Adjustable bar hangers 14-24"
- 4" & 6" duct adapters included
- Integral direct mounting bracket
- High efficiency "no lube" motor
- ETL listed
- Energy Star approved
- HVI 2100 certified
- Title 24 Ready
- Conforms to UL standard 507
- IC Rated up to R40 insulation



**24" BAR HANGERS INCLUDED.**



**HOUSING CAN BE INSTALLED USING THE UNIVERSAL MOUNTING BRACKET WITHOUT THE USE OF BAR HANGERS.**

### Description

Ultra quiet ventilation fan, premium efficiency, capacitor start motor, Energy Star and HVI 2100 certified. ETL listed and conforms to UL 507 safety standards. ETL listed for installation above bath or shower with GFCI protected circuit breaker. Suited for use in bathrooms, spa's, laundry rooms, and other damp locations.

### Housing

Made of rugged 26 GA galvanized steel for superior corrosion resistance. Detachable 4" and 6" polymer duct adapter with "noiseless" back draft damper included. Twin bar-hanger mounting brackets adjust from 13-3/4 to 25" inches for ideal positioning between ceiling members. Housing Dimensions: Width 10-1/2", Length 11-3/8", Height 7-5/8" and fits level with 2 x 8 joist construction. IC Rated for direct contact with insulation up to R40. Integral four (4) point mounting bracket allows housing to be attached directly to ceiling joist without the use of bar-hangers. Can be mounted in sloped ceilings up to 12-12 pitch (45 degrees).

### Blower motor

High efficiency, split capacitor, permanently lubricated motor with quick disconnect plug for easy change out. Energy Star certified and engineered for continuous operation with built in overload protection to insure longer motor life: 120 Volts / 60 Hz. One-piece blower and motor assembly can be easily removed and replaced from below the ceiling. Four (4) isolation dampeners on motor mount bracket provide ultra quiet operation with minimal vibration transfer.

Passive infrared motion sensor turns fan on when the room is occupied. Fan remains on for preset time from 5 to 60 minutes after motion is no longer detected.

### Grille

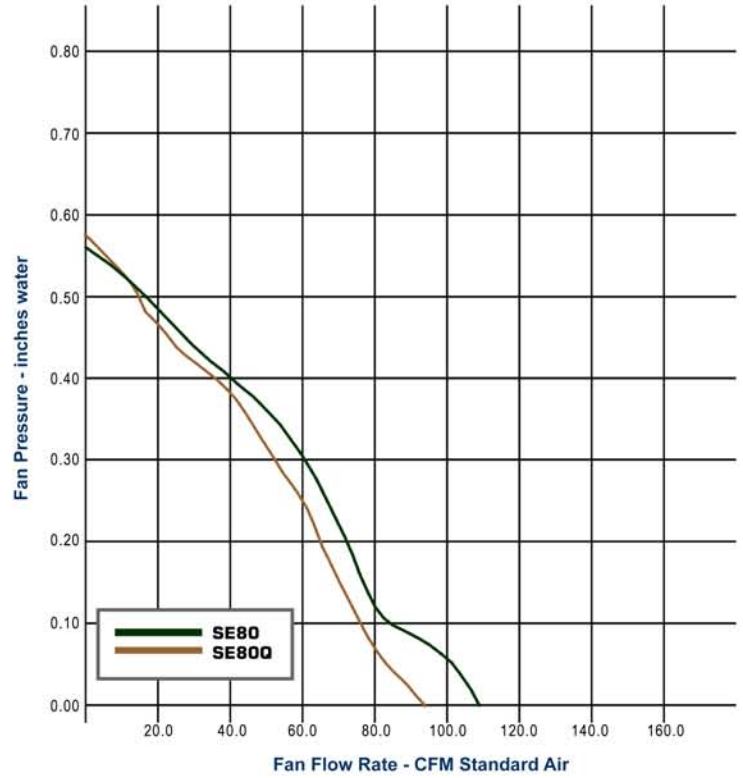
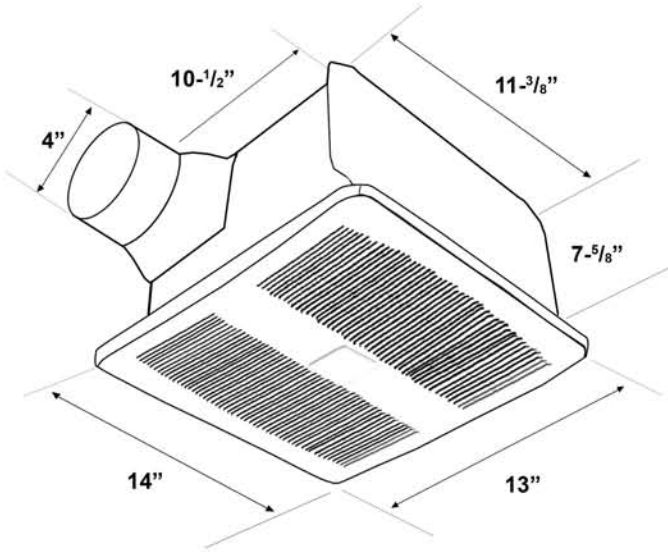
Attractive, low profile, high impact grille made with premium UV inhibited polymer resin. Powerful torsion springs seat the grille tightly and evenly to the ceiling surface. Grille can be attached or removed without the use of tools. Grille dimensions: 13-3/4 X 13".

#### CERTIFICATIONS

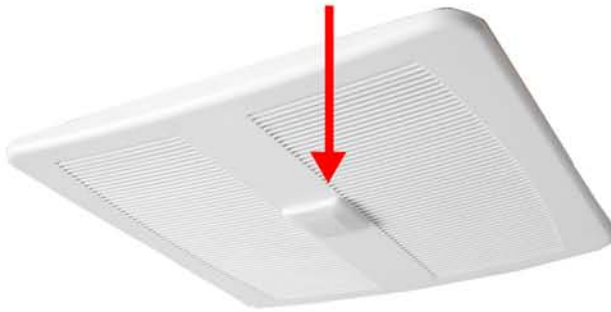


# SE 80M

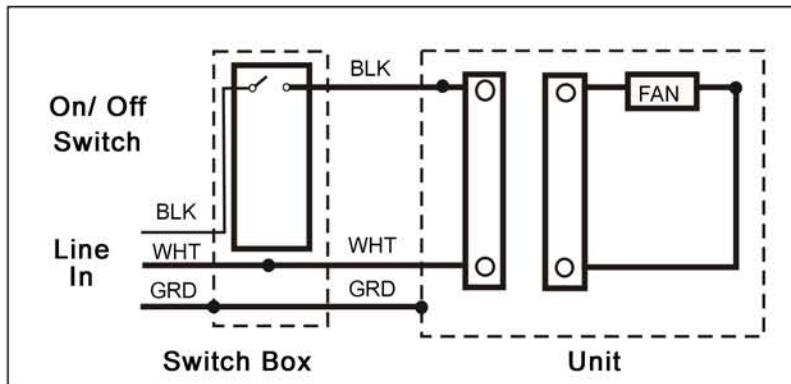
Ultra Quiet Ventilation Fan with Motion Sensor



THE MOTION SENSOR AND 2 WATT LED NIGHT LIGHT ARE LOCATED IN THE CENTER OF THE GRILLE. THE MOTION SENSOR HAS A 90 DEGREE ZONE OF DETECTION ARC BELOW THE FAN. THE MOTION SENSOR IS OPTIMIZED FOR 7-10' MOUNTING HEIGHTS.



Model Number	SE 80M	
Static Pressure in inches w.g.	0.1	0.25
Air Volume (CFM)	80	63
Noise (Sones) 6" Duct	0.3	n/a
Noise (Sones) 4" Duct	0.8	n/a
Fan Watts	25W	25W
Power (Volts / Hertz)	120V/60Hz	



CERTIFICATIONS

