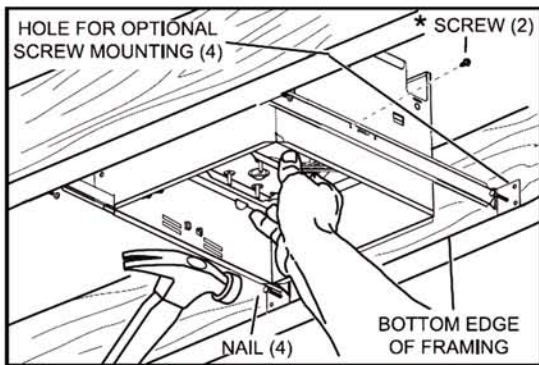




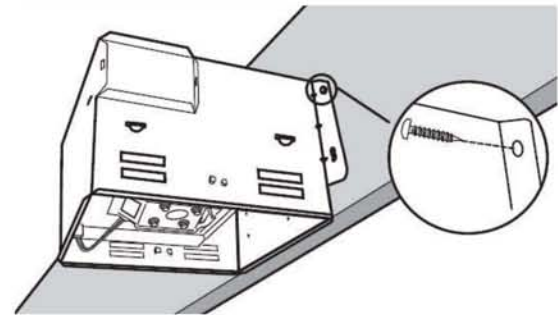
<b>CFM</b>	<b>90/ 110</b>
<b>SONES</b>	<b>0.6/ 0.8</b>
<b>HEIGHT</b>	<b>7-5/8"</b>
<b>DUCT</b>	<b>4" &amp; 6"</b>

### SE 90-110MH Series

- Very Quiet: as low as .3 sones
- Fully adjustable humidity sensor
- 7-5/8" Height, ideal for 2x8 const.
- 120 volt / 60 Hz
- Galvanized Housing
- Adjustable bar hangers 14-24"
- 4" & 6" duct adapters included
- Integral direct mounting bracket
- High efficiency "no lube" motor
- ETL listed / Title 24 Ready
- Energy Star approved
- HVI 2100 certified
- Conforms to UL standard 507
- IC Rated up to R40 insulation



**24" BAR HANGERS INCLUDED**



**HOUSING CAN BE INSTALLED USING THE UNIVERSAL MOUNTING BRACKET WITHOUT THE USE OF BAR HANGERS.**

### Description

Ultra quiet ventilation fan with adjustable humidity sensor. High efficiency, capacitor start motor with Energy Star and HVI 2100 certifications. ETL listed and conforms to UL 507 safety standards. ETL listed for installation above bath or shower with GFCI protected circuit breaker. Suited for use in bathrooms, spa's, laundry rooms, and other damp locations.

### Housing

Made of rugged 26 GA galvanized steel for superior corrosion resistance. Detachable 4" and 6" polymer duct adapter with "noiseless" back draft damper. Twin bar-hanger mounting brackets adjust from 13-3/4 to 25" inches for ideal positioning between ceiling members. Housing Dimensions: Width 10-1/2", Length 11-3/8", Height 7-5/8" and fits level with 2 x 8 joist construction. IC Rated for direct contact with insulation up to R40. Integral four (4) point mounting bracket allows housing to be attached directly to ceiling joist without the use of bar-hangers. Can be mounted in sloped ceilings up to 12-12 pitch (45 degrees).

### Blower motor, Motion and Humidity Sensor

High efficiency, split capacitor, permanently lubricated motor with quick disconnect plug for easy change out. Energy Star certified and engineered for continuous operation with built in overload protection to insure longer motor life: 120 Volts / 60 Hz. One-piece blower and motor assembly can be easily removed and replaced from below the ceiling. Four (4) isolation dampeners provide ultra quiet operation with minimal vibration transfer. Integral humidity sensor is adjustable from 50 to 100% relative humidity and is factory preset at 75%. The timer is adjustable from 5 to 60 minutes.

The motion sensor will turn fan on and will shut fan off after the preset time has expired.

### Grille

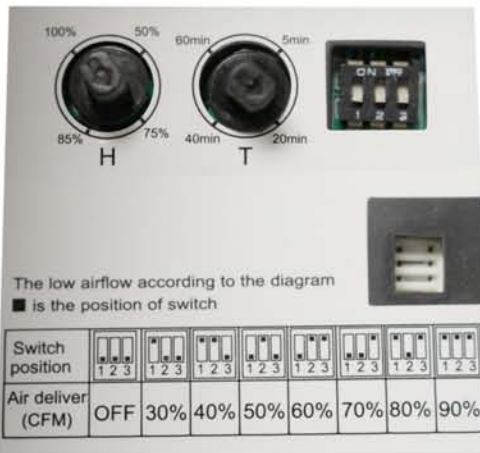
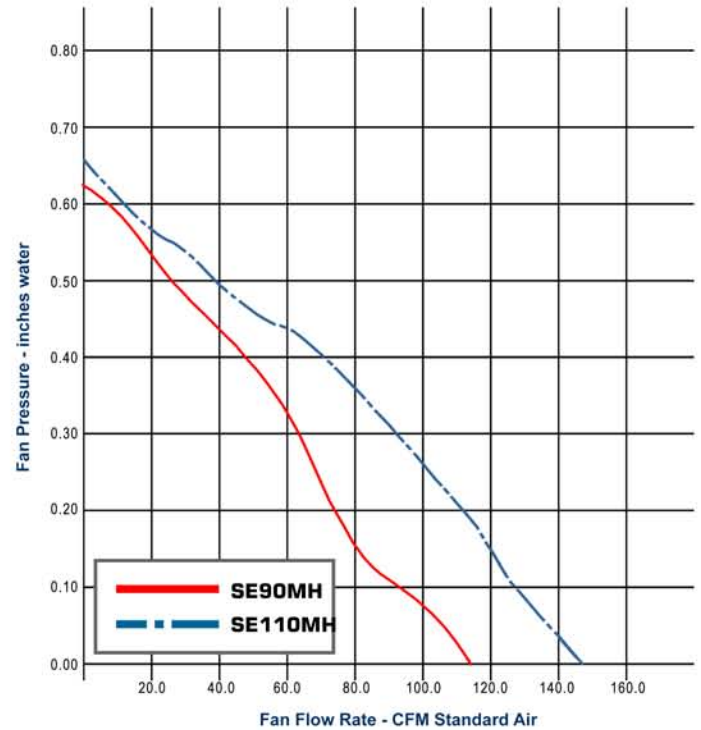
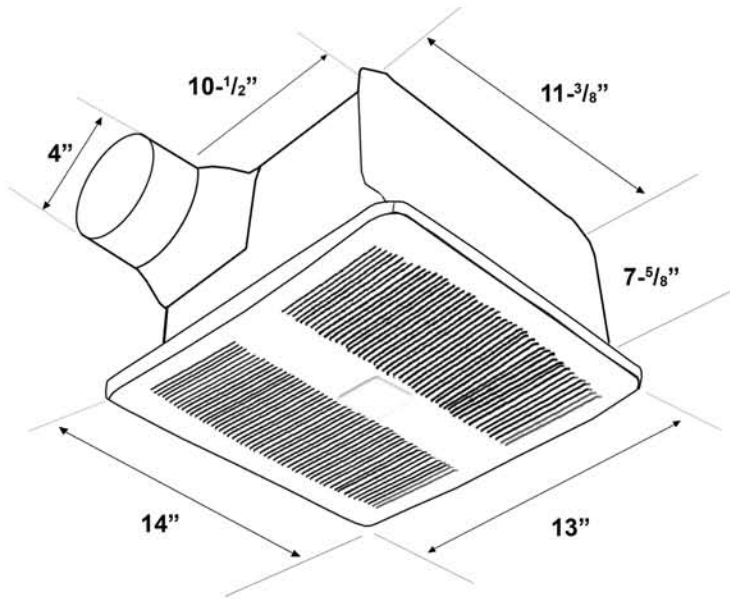
Attractive, low profile, high impact grille made with premium UV inhibited polymer resin. Powerful torsion springs seat the grille tightly and evenly to the ceiling surface. Grille can be attached or removed without the use of tools. Grille dimensions: 13-3/4 X 13".

#### CERTIFICATIONS



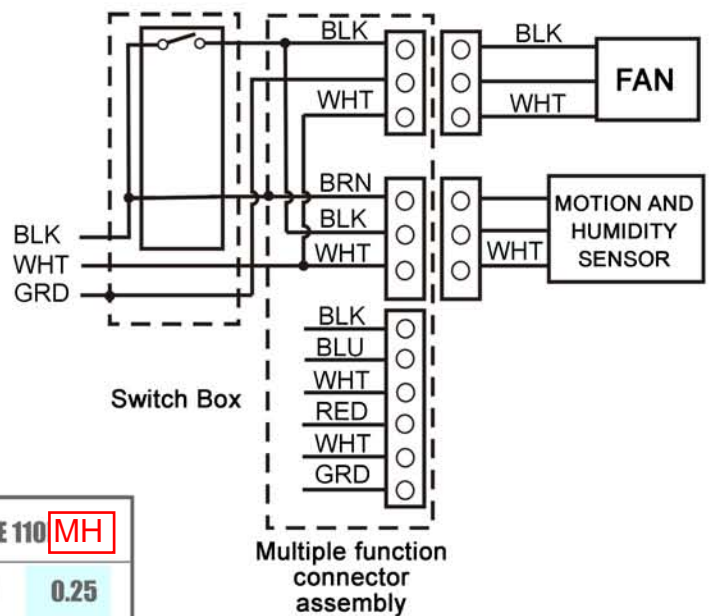
# SE 90 - 110 MH

Ultra Quiet Fan with Motion and Humidity Sensor



**HUMIDITY LEVEL CAN BE ADJUSTED FROM 50 TO 100% AND THE TIME DELAY FROM 5 TO 60 MINS**

## FOR FAN WITH HUMIDITY SENSOR



Model Number	SE 90 <b>MH</b>		SE 110 <b>MH</b>	
Static Pressure in inches w.g.	0.1	0.25	0.1	0.25
Air Volume (CFM)	90	70	110	87
Noise (Sones) 6" Duct	0.3	n/a	0.6	n/a
Noise (Sones) 4" Duct	0.7	n/a	1.2	n/a
Fan Watts	28W	28W	35W	35W
Power (Volts / Hertz)	120V/60Hz		120V/60Hz	

CERTIFICATIONS

