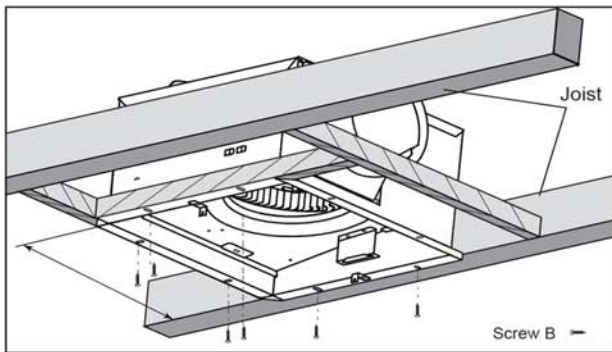




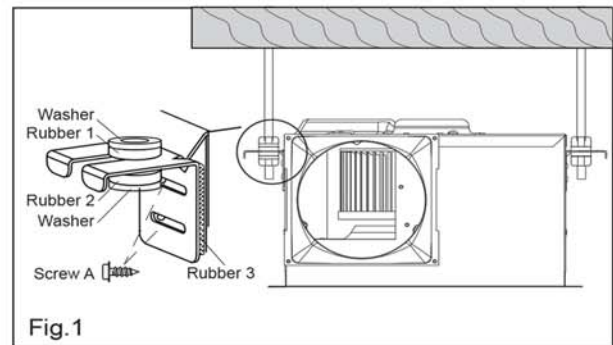
CFM	200
SONES	2.4
HEIGHT	8-3/4"
DUCT	6"

SEC Series

- For high CFM applications
 - 120 volt / 60 Hz
 - Adjustable bar hangers 14-24"
 - Integral 6" duct adapter included
 - High efficiency lubricated motor
 - ETL listed
 - HVI 2100 certified
- Conforms to UL standard 507
IC Rated up to R40 insulation



The fan housing can be installed by framing in the fan opening with furring studs. Screws are used to attached the fans' flange to the furring studs.



The fan can also be installed by suspending 3/8" all thread from the ceiling or roof structure and attaching the fan using the suspension brackets (below).

Description

The SEC200 is a low-noise, high volume commercial ventilation fan designed for commercial and residential applications. High efficiency, capacitor start motor is HVI 2100 certified, ETL listed, and conforms to UL 507 safety standards. ETL listed for installation above bath or shower with GFCI protected circuit breaker. Suited for use in bathrooms, spa's, laundry rooms, and other damp locations.

Housing

Made of rugged 26 GA galvanized steel with black enamel over coat finish for superior corrosion resistance. Integral (6") inch polymer duct adapter "noiseless" back draft damper included. Unique mounting brackets allow the fan to be suspended from ceiling structure using all-thread. Fan can be mounted in the ceiling using furring studs and attaching the fan's flanged to the studs using screws (see diagram A). Housing Dimensions: Width 12-5/8", Length 12-5/8", Height 8-3/4" and fits level with 2 x10 joist construction. IC Rated for direct contact with insulation up to R40. Can be mounted in sloped ceilings up to 12-12 pitch (45 degrees).

Blower Motor

High efficiency, split capacitor, permanently lubricated motor with quick disconnect plug for easy change out, and engineered for continuous operation with built in overload protection to insure longer motor life: 120 Volts / 60 Hz. One-piece blower and motor assembly can be easily removed and replaced from below the ceiling. Four (4) isolation dampeners provide ultra quiet operation with minimal vibration transfer.

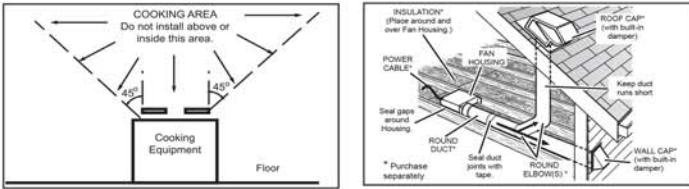
Grille

Attractive, white mil-groove baffle made from high impact UV inhibited polymer resin. Powerful torsion springs seat the trim tightly and evenly to the ceiling surface. Trim and lamp can be installed or removed without the use of tools. Trim dimensions: 15" x 16"



PLAN THE INSTALLATION

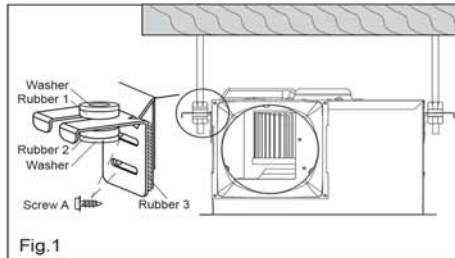
1. Do not use in a cooking area.
2. Two ways to connect ductwork to a factory-shipped unit.



ASSEMBLY INSTRUCTIONS

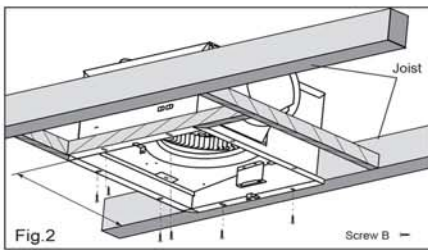
MOUNT WITH HANGER BRACKET

Before installation, need to assembly hanger bracket and rubber 3 to housing with screw A. Then install the rubber 1, rubber 2 and washer to hanger bracket. Use anchor bolts (not included) to secure housing. (Fig.1)



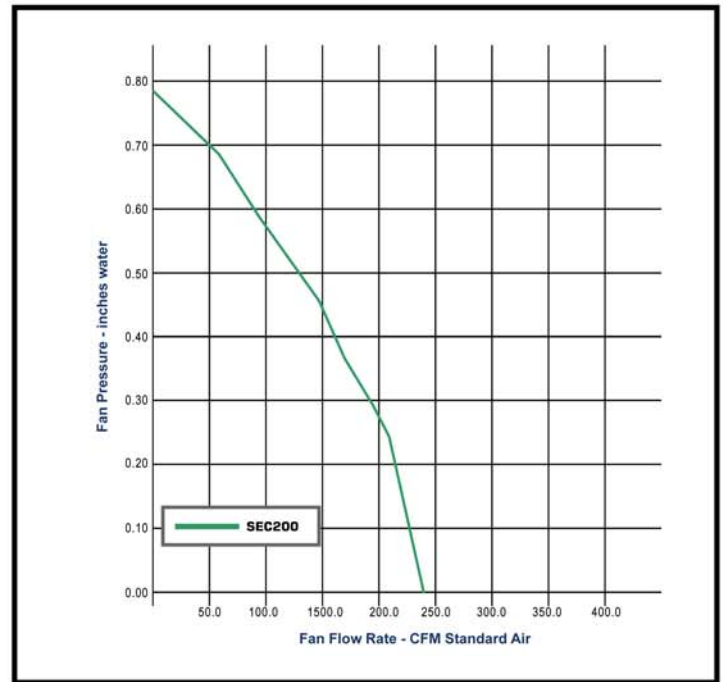
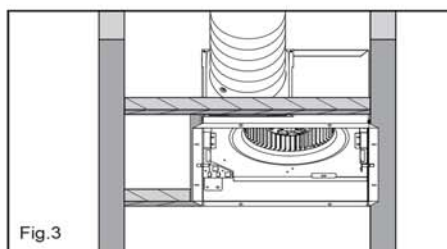
MOUNT WITH MOUNTING HOLES

Select the appropriate size of the wood is installed between the joists using screw (not included). Hold housing in place so that the housing contacts the bottom of the joist and woods, Screw housing to joist and woods through the hole. (Fig.2)



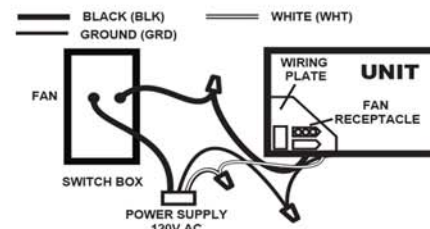
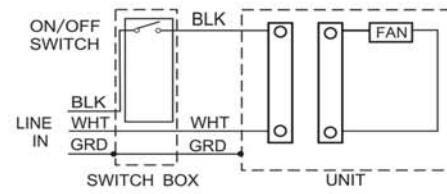
INSTALL ROUND DUCTWORK

Connect the round ductwork (not included) to the damper/duct connector, and run the ductwork to a roof or wall cap (not included). Using tape (not included), secure all the ductwork connections so that they are air tight the hole. (Fig.2)



ELECTRICAL WIRING

Run 120 V AC house wiring to the location of the fan. Use only UL-approved connectors (not included) to attach the house wiring to the wiring plate. Refer to the wiring diagram, and connect the wires as shown.



INSTALL GRILLE

Install ceiling material to complete the ceiling construction. Then, cut around the fan housing. To attach the grille assembly to the fan housing, pinch the grille springs on the sides of the grille assembly, and position the grille into the housing with the grille springs in the appropriate slots. Push the grille assembly towards the ceiling to secure.

