

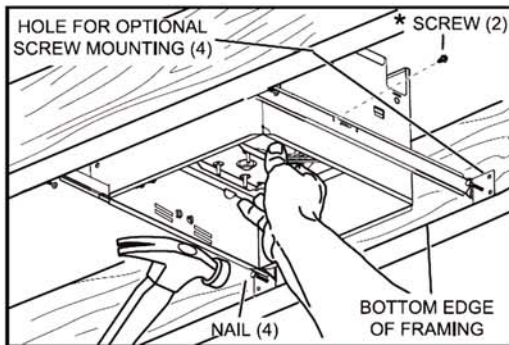
SELL Series



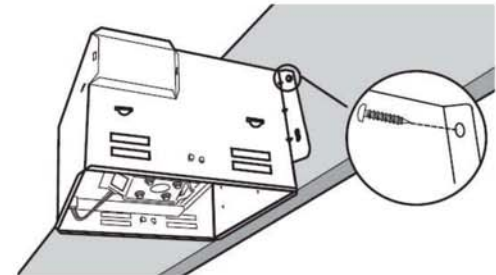
40,000
HOURS LIFE

CFM	80 - 120
SONES	0.3 / 1.1
HEIGHT	7-5/8
DUCT	4" & 6"

- Very Quiet: as low as 0.3 sones
- 7-5/8" Height, ideal for 2x8 const.
- 120 volt / 60 Hz
- 10 watt LED
- Galvanized Housing
- Adjustable bar hangers 14 - 24"
- 4" & 6" duct adapters included
- Integral direct mounting bracket
- High efficiency "no lube" motor
- ETL listed
- Energy Star approved
- HVI 2100 certified
- Title 24 Ready
- Conforms to UL standard 507
- IC Rated up to R40 insulation



24" BAR HANGERS INCLUDED, MOUNT IN SLOPED CEILINGS UP TO 12/12 PITCH.



HOUSING CAN BE INSTALLED USING THE UNIVERSAL MOUNTING BRACKET WITHOUT THE USE OF BAR HANGERS.

Description

Ultra quiet ventilation fan-light with 10 watt LED instant start lamp with an 850 lumen output, 41K color temperature and 40,000 hour rated life. Includes separately switched 1 watt LED night light. High efficiency, capacitor start motor with Energy Star and HVI 2100 certifications. ETL listed, conforms to UL 507 safety standards. ETL listed for installation above bath or shower with GFCI protected circuit breaker. Suited for use in bathrooms, spa's, laundry rooms, and other damp locations.

Housing

Made of rugged 26 GA galvanized steel for superior corrosion resistance. Detachable 4" and 6" polymer duct adapter with "noiseless" back draft damper. Twin bar-hanger mounting brackets adjust from 13-3/4 to 25" inches for ideal positioning between ceiling members. Housing Dimensions: Width 10-1/2", Length 11-3/8", Height 7-5/8" and fits level with 2 x 8 joist construction. IC Rated for direct contact with insulation up to R40. Integral four (4) point mounting bracket allows housing to be attached directly to ceiling joist without the use of bar-hangers. Can be mounted in sloped ceilings up to 12-12 pitch (45 degrees).

Blower Motor

High efficiency, split capacitor, permanently lubricated motor with quick disconnect plug for easy change out. Energy Star certified and engineered for continuous operation with built in overload protection to insure longer motor life: 120 Volts / 60 Hz. One-piece blower and motor assembly can be easily removed and replaced from below the ceiling. Four (4) isolation dampeners provide ultra quiet operation with minimal vibration transfer.

Grille

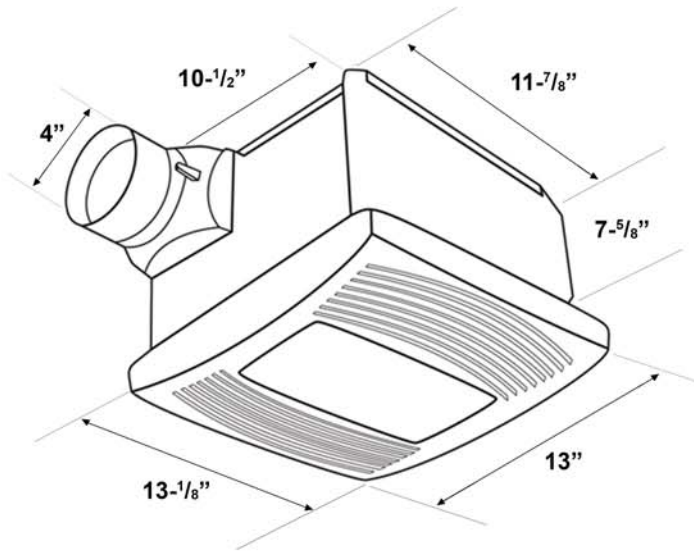
Attractive, low profile, high impact grille made with premium UV inhibited polymer resin. Powerful torsion springs seat the grille tightly and evenly to the ceiling surface. Grille can be attached or removed without the use of tools. Grille dimensions: 13-1/8 X 13". High impact white translucent polycarbonate lens.

CERTIFICATIONS

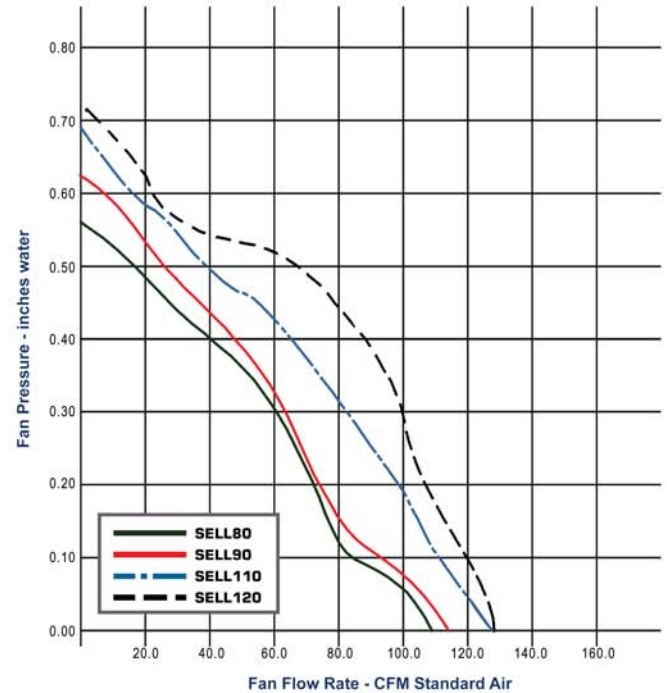
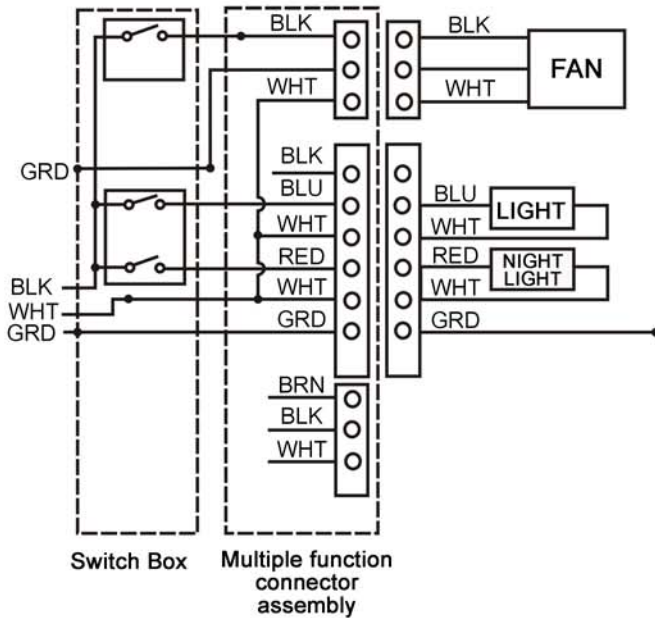
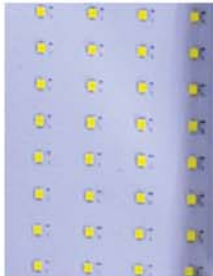


SELL 80-120

LED Fan Light



FOR FAN WITH LIGHT AND NIGHT LIGHT

The 10 watt LED array uses 63 (.16) watt SMD LED's with a 40,000 hour rated life, 4100K Cool White temperature, and a CRI of 84. The LED driver is mounted away from LED's for improved thermal management and easy replacement. Includes 1 watt LED night light, separately switched.

Model Number	SELL 80		SELL 90		SELL 110		SELL 120	
Static Pressure in inches w.g.	0.1	0.25	0.1	0.25	0.1	0.25	0.1	0.25
Air Volume (CFM)	80	63	90	70	110	87	120	105
Noise (Sones) 6" Duct	0.3	n/a	0.4	n/a	0.6	n/a	0.8	n/a
Noise (Sones) 4" Duct	0.8	n/a	0.7	n/a	1.2	n/a	1.2	n/a
Fan Watts	25W	25W	28W	28W	35W	35W	39W	39W
Power (Volts / Hertz)	120V/60Hz		120V/60Hz		120V/60Hz		120V/60Hz	

CERTIFICATIONS

