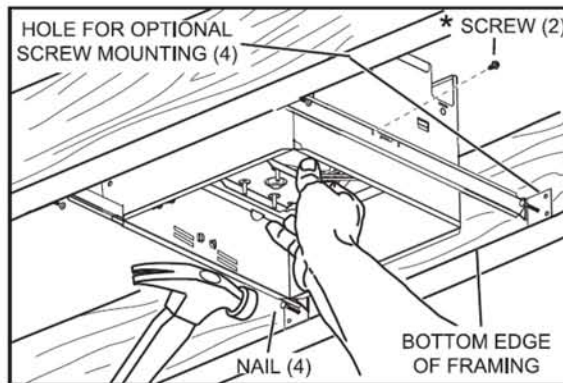




CFM	50	80
SONES	0.4	1.2
HEIGHT	3-3/4"	3-3/4"
DUCT	4" oval	4" oval

SES Series

- Very Quiet: as low as 0.4 sones
- 3-3/4" Height, ideal for 2x4 const.
- 120 volt / 60 Hz
- Galvanized Housing, PAF
- Adjustable bar hanger 14-24"
- 4" oval duct adapter included
- High efficiency "no lube" motor
- ETL listed
- Energy Star approved
- HVI 2100 certified
- Title 24 Ready
- Conforms to UL standard 507
- IC Rated up to R40 insulation
- Ceiling or wall mount



24" BAR HANGER INCLUDED, MOUNT IN SLOPED CEILINGS UP TO 12/12 PITCH

Description

Extremely Low Profile ultra quiet ventilation fan with high efficiency, capacitor start motor. Energy Star and HVI 2100 certified, ETL listed, conforms to UL 507 safety standards. ETL listed for installation above bath or shower with GFCI protected circuit breaker. Suited for use in bathrooms, spa's, laundry rooms, and other damp locations.

Housing

Made of rugged 26 GA galvanized steel for superior corrosion resistance. Fixed 4" oval sheet metal duct adapter with "noiseless" back draft damper. Twin bar-hanger mounting bracket adjust from 13-3/4 to 23" inches for ideal positioning between ceiling members. Housing Dimensions: Width 10-1/4", Length 10-1/4", Height 3-3/4" and fits between floors or walls with 2 x 4 joist construction. IC Rated for direct contact with insulation up to R40. Can be mounted in sloped ceilings up to 12-12 pitch (45 degrees).

Blower Motor

High efficiency, split capacitor, permanently lubricated motor with quick disconnect plug for easy change out. Energy Star certified and engineered for continuous operation with built in overload protection to insure longer motor life: 120 Volts / 60 Hz. One-piece blower and motor assembly can be easily removed and replaced from below the ceiling. Four (4) isolation dampeners provide ultra quiet operation with minimal vibration transfer.

Grille

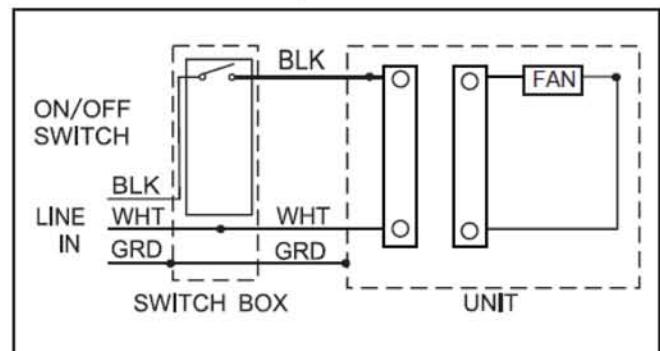
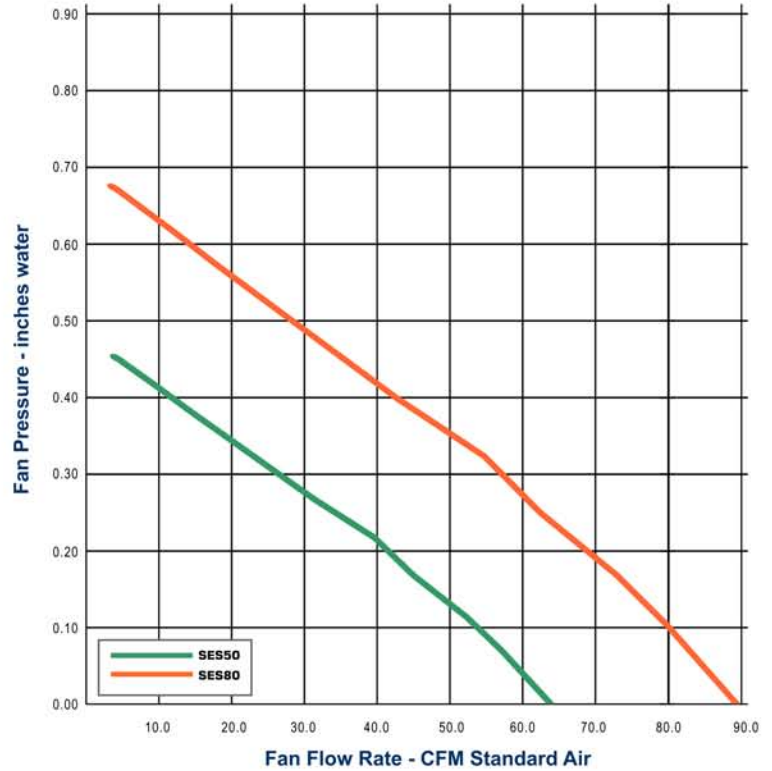
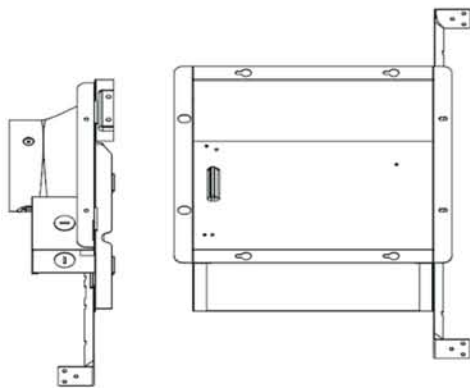
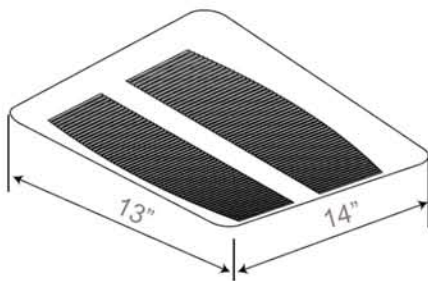
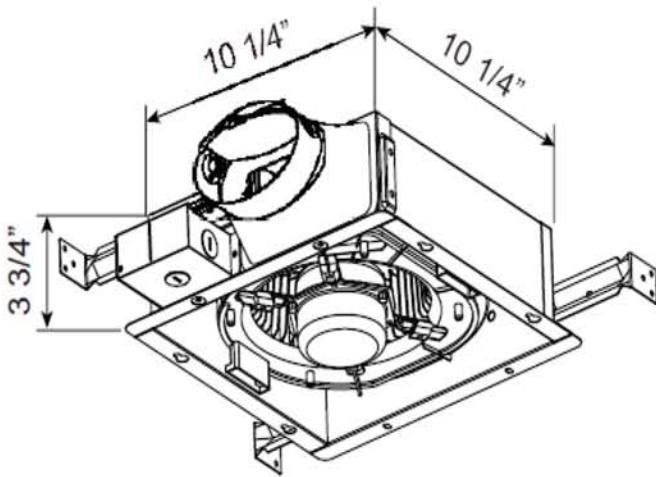
Attractive, low profile, high impact grille made with premium UV inhibited polymer resin. Powerful torsion springs seat the grille tightly and evenly to the ceiling surface. Grille can be attached or removed without the use of tools. Grille dimensions: 13" X 14". In less than 30 seconds our SES series fans can be converted to high efficiency fan-light using our Title 24 approved LED light kit, part number SE-LED-LK. The 10 watt LED light kit produces 920 lumens with a CCT of 4100K, a CRI of 84, and a 40,000 rated life (five year warranty). Includes 1 watt, 90 lumen night light.

CERTIFICATIONS



SES50 - 80

Ultra Shallow Fan



Model Number	SES50		SES80	
Static Pressure in inches w.g.	0.1	0.25	0.1	0.25
Air Volume (CFM)	53	35	82	63
Noise (Sones) 4" Duct	0.4	n/a	0.4	n/a
Fan Watts	25W	25W	25W	25W
Power (Volts / Hertz)	120V/60Hz		120V/60Hz	

CERTIFICATIONS

