



### TT Series

<b>CFM</b>	<b>80- 125</b>
<b>SONES</b>	<b>0.1 / 0.7</b>
<b>HEIGHT</b>	<b>9"</b>
<b>DUCT</b>	<b>4"</b>

- Very Quiet: as low as 0.1 sones
- Low profile, only 7-5/8" tall
- Includes cord & plug
- 120 volt / 60 Hz
- Rust free polypropylene housing
- Includes mounting bracket
- High efficiency "no lube" motor
- ETL listed
- Meets ANSI / UL standard 705
- Energy Star approved
- HVI 2100 certified
- Title 24 Ready
- Conforms to UL standard 507
- 5 Year Warranty
- IPX4

### Description

Ultra quiet two-speed premium efficiency in-line ventilation fan with capacitor start motor. Energy Star and HVI 2100 certified. ETL listed and conforms to UL 507 safety standards. Suited for use in bathrooms, spa's, laundry rooms, attics or basements and other damp locations. Speed selection switch located on fan housing.

### Housing

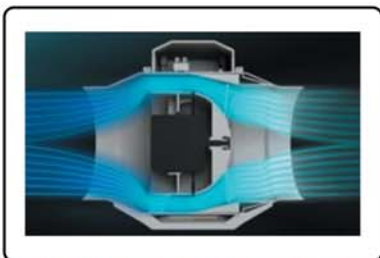
Made from rugged polypropylene resin with 5VA flame rating for superior corrosion resistance and durability. Integral 4" duct adapter with stainless steel duct clamps included. Integral mounting bracket mounts to any flat surface or cross member and includes mounting screws. Twin housing clamps join mounting base to the housing and can be removed in less than 30 seconds. External junction box with 15 amp 120 volt prewire cord and plug for easy installation. Two speed selector switch adjusts from 110 CFM to 60 CFM for broader applications. Fan housing is 7-5/8" wide by 9" tall and 12" long. Impeller is constructed from ABS resin with DR additive for longevity and durability. Fan can be mounted above flat or sloped ceilings at any angle. Housing can rotate 180 degrees to accommodate any mounting configuration.

### Blower Motor

High efficiency, split capacitor, permanently lubricated motor with automatic thermal reset for added protection. Blauberg premium efficacy motors are manufactured in Germany. Two speed motor has upper speed of 125 CFM and a lower speed of 80 CFM. Fan speed selector switch is located on the junction box. Energy Star certified and engineered for continuous operation with a 40,000 hour service life. Input current 120 Volts AC / 60 Hz. Motor operates on high speed at 30 watts (.25amps) 1990 RPM's and on the lower speed, 24 watts (.21 amps) 1500 RPS's. One-piece blower and motor assembly can be easily removed and replaced with just a screw driver. Rated for use in environments up to 140 degrees F.

### Mounting

The TT 100 series In-line ventilation fan can be mounted in the attic or plenum area of the structure connected to a 4" flexible or ridged duct system. Slope duct work downward to prevent condensation from dripping back into the space. Ideal for retrofitting existing fans that are no longer operating, or fans that are too noisy for comfort.



**IMPELLER AND GUIDE VANES PROVIDE SMOOTH LAMINAR (NON TURBULENT) AIRFLOW.**



**MOTOR HOUSING CAN BE REMOVED FOR CLEANING OR REPLACEMENT.**

#### CERTIFICATIONS

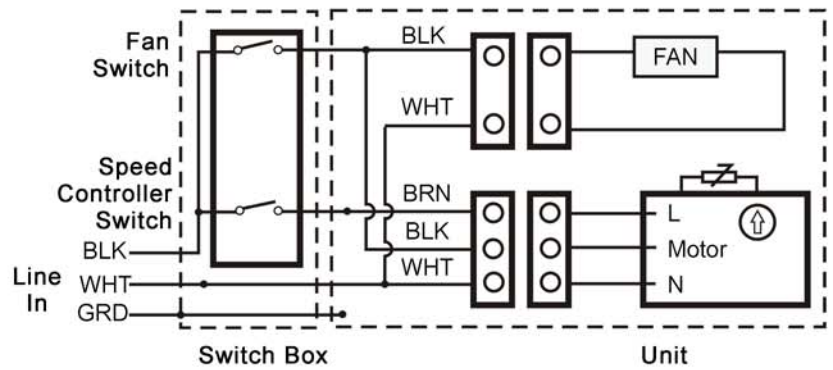
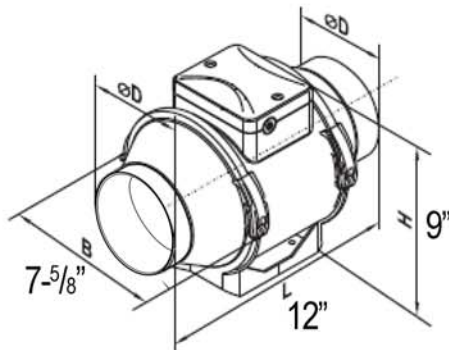
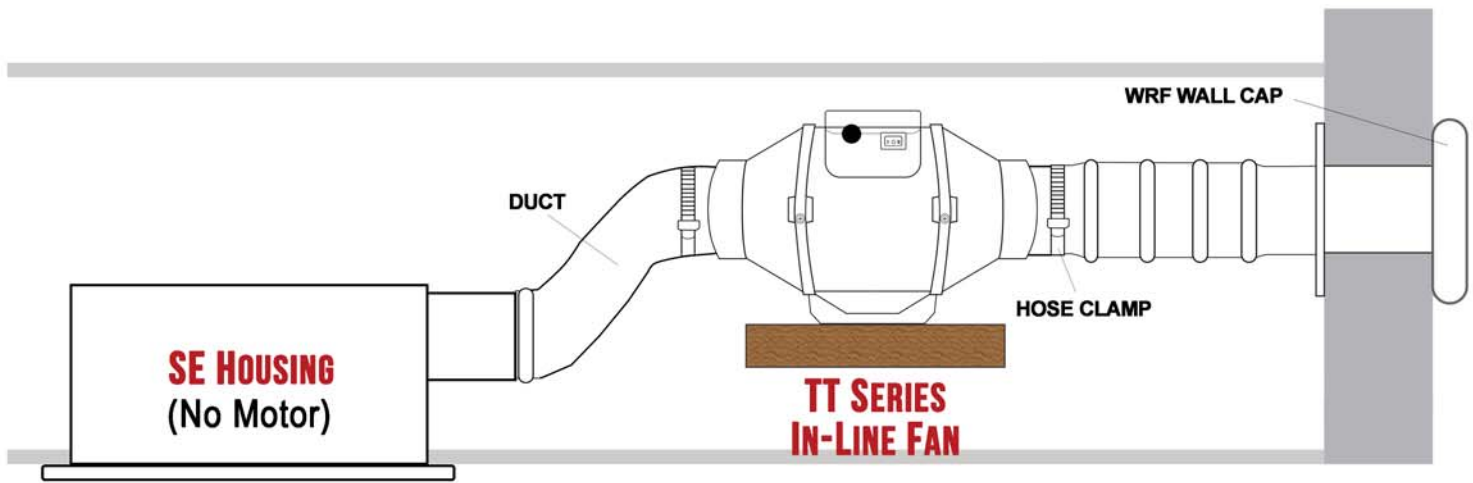


# TT-100

## Ultra Quiet Two Speed In-Line Fan



Model Number	TT-100		TT-100		TT-100		TT-100		TT-100	
Static Pressure in inches w.g.	0.1"	0.1"	0.2"	0.2"	0.25"	0.25"	0.3"	0.3"	0.4"	0.4"
Air Volume (CFM)	88	128	68	110	60	100	47	88	22	64
Speed	Low	High	Low	High	Low	High	Low	High	Low	High
Noise (Sones) 4" Duct	0.6	0.8	0.6	0.8	0.8	0.8	0.7	0.9	0.7	0.9
Fan Watts	48W	24W	29W	24W	29W	24W	30W	25W	30W	25W
Power (Volts / Hertz)	120V/60Hz		120V/60Hz		120V/60Hz		120V/60Hz		120V/60Hz	



**TWO SPEED SWITCH**



**QUICK MOUNT BRACKET FOR EASY INSTALLATION**

CERTIFICATIONS



**EASY INSTALLATION**



Fix the fan mounting plate on the flat surface.



Install the removable body inside the fan case.



Lock the removable body by clamps with latches.



Secure latches by screws.



Attach the ducts with clamps.



Insert the plug into electrical socket - the fan is **READY TO GO!**



Select a required speed by built-in speed switch. **ENJOY THE FRESH AIR.**



Forget about dismantling! Just remove the central body from the case and complete the servicing!

**EASY CONNECTION**



The Removable Body with the junction box can be rotated 180-deg to Facilitate Mounting and Wiring

**BUILT-IN SPEED CONTROL**



The Double-speed Motor is controlled with a Built-in Speed Switch.

**INTEGRATED MOUNTING BRACKET**



The fan case is Equipped with a Mounting Plate to attach the fan to the wall or ceiling.



VRF 4" Duct Return/ Wall Cap



VRF 6" Duct Return/ Wall Cap



**SE- NM** (No motor)



**SE RVL-NM** (No motor)  
6" recessed down light with 15 watt GU-24 / R-30 fluorescent lamp and universal 4 & 5" duct adaptor. Includes bar hangers. Also available with 10 watt LED GU-10 lamp

CERTIFICATIONS

